

# B1051 NEW YORK Rectangular Inset Ceramic Basin 500mm



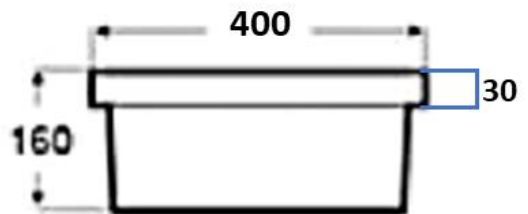
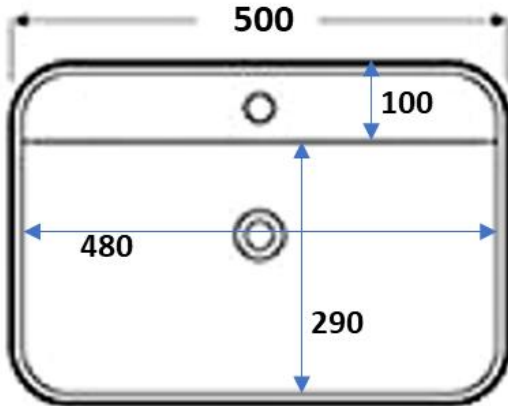
**Features:**

- Ceramic Basin
- Low Profile Inset Installation
- One Taphole
- With Overflow
- Requires K328 Style Waste – Sold Separately

**Dimensions:** 500 x 400 x 160mm

Product Codes:

<b>B1051</b>	Gloss White Ceramic
--------------	---------------------



All measurements and specifications provided for our products are approximate and subject to change without prior notice. The information listed is correct at time of publication, however Bestlink International PTY LTD reserves the right to vary design and dimensions of products without prior notice. We recommend verifying dimensions and specifications before installation. For ceramic products, please allow a +/- 5mm tolerance for manufacturing variance. For basins, it is recommended that actual basin be used when cutting out bench top to ensure exact fit.